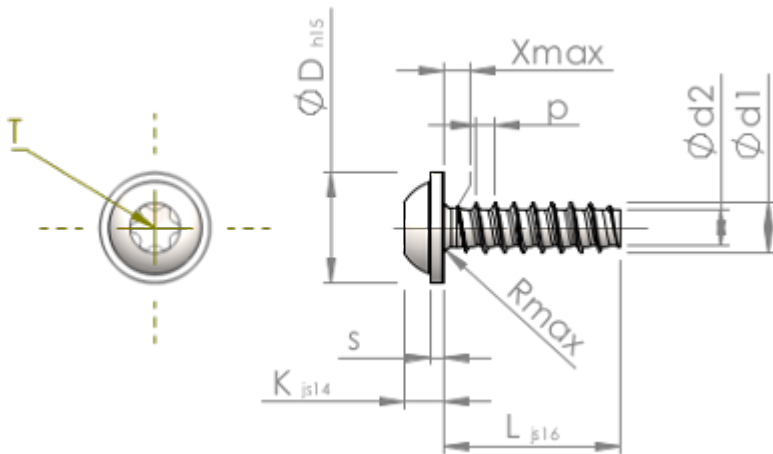


Spec sheet for STP380250070S



Item Number		STP380250070S
Head		KN6038
Material		steel, hardened 10.9
Surface		zinc-plated 5-7 µm, baked, blue / transparent passivated
Thread outside-Ø	<b>d1</b>	2,50 <sup>+0,10</sup> mm
Thread core-Ø	<b>d2</b>	1,72 mm
Thread-pitch	<b>p</b>	0,95 mm
Length	<b>L</b>	7,00 mm
Head-Ø	<b>D</b>	5,50 <sub>-0,48</sub> mm
Head height	<b>K</b>	1,900 ±0,125 mm
Flange Thickness	<b>S</b>	0,7 mm
Thread run-out	<b>X max.</b>	1,30 mm
Radius	<b>R max.</b>	0,40 mm
Hexalobular Drive (T)		T8
Penetration Depth	<b>t min.</b>	0,80 mm
Penetration Depth	<b>t max.</b>	1,00 mm
Thread		STS-plus
Weight		0,370 kg/1000 pcs.
Customs tariff no		73 181 499