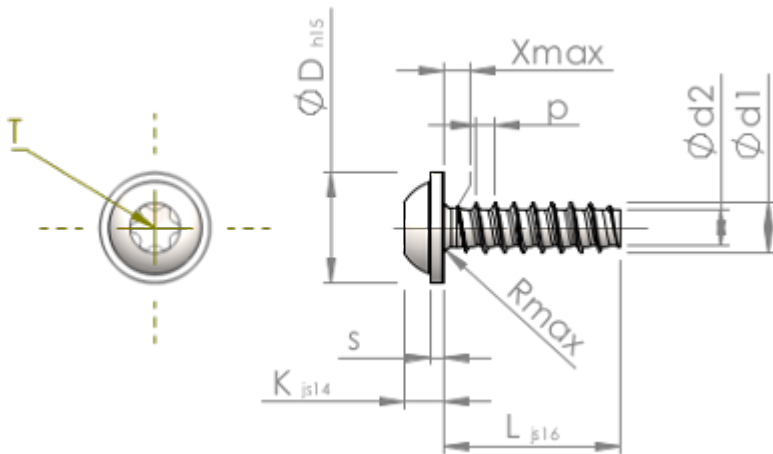


Spec sheet for STP380180100E



Item Number		STP380180100E
Head		KN6038
Material		stainless-steel, A2 - 1.4567
Surface		Bright-pickled and passivated
Thread outside-Ø	<b>d1</b>	1,80 <sup>+0,08</sup> mm
Thread core-Ø	<b>d2</b>	1,22 mm
Thread-pitch	<b>p</b>	0,71 mm
Length	<b>L</b>	10,00 mm
Head-Ø	<b>D</b>	4,00 <sub>-0,48</sub> mm
Head height	<b>K</b>	1,350 ±0,125 mm
Flange Thickness	<b>S</b>	0,6 mm
Thread run-out	<b>X max.</b>	0,90 mm
Radius	<b>R max.</b>	0,25 mm
Hexalobular Drive (T)		T6
Penetration Depth	<b>t min.</b>	0,50 mm
Penetration Depth	<b>t max.</b>	0,65 mm
Thread		STS-plus
Weight		0,209 kg/1000 pcs.
Customs tariff no		73 181 410