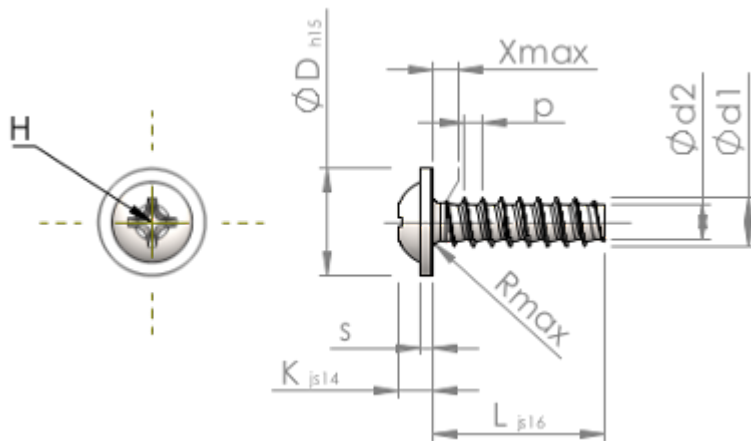


Spec sheet for STP310220050S



Item Number		STP310220050S
Head		KN6031
Material		steel, hardened 10.9
Surface		zinc-plated 5-7 µm, baked, blue / transparent passivated
Thread outside-Ø	<b>d1</b>	2,20 <sup>+0,08</sup> mm
Thread core-Ø	<b>d2</b>	1,51 mm
Thread-pitch	<b>p</b>	0,85 mm
Length	<b>L</b>	5,00 mm
Head-Ø	<b>D</b>	5,00 <sub>-0,48</sub> mm
Head height	<b>K</b>	1,600 ±0,125 mm
Flange Thickness	<b>S</b>	0,6 mm
Thread run-out	<b>X max.</b>	1,10 mm
Radius	<b>R max.</b>	0,35 mm
H-cross recess		H1
Penetration Depth	<b>t min.</b>	0,68 mm
Penetration Depth	<b>t max.</b>	1,14 mm
Thread		STS-plus
Weight		0,208 kg/1000 pcs.
Customs tariff no		73 181 499